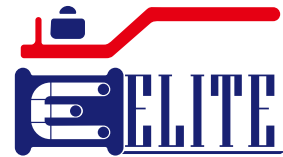
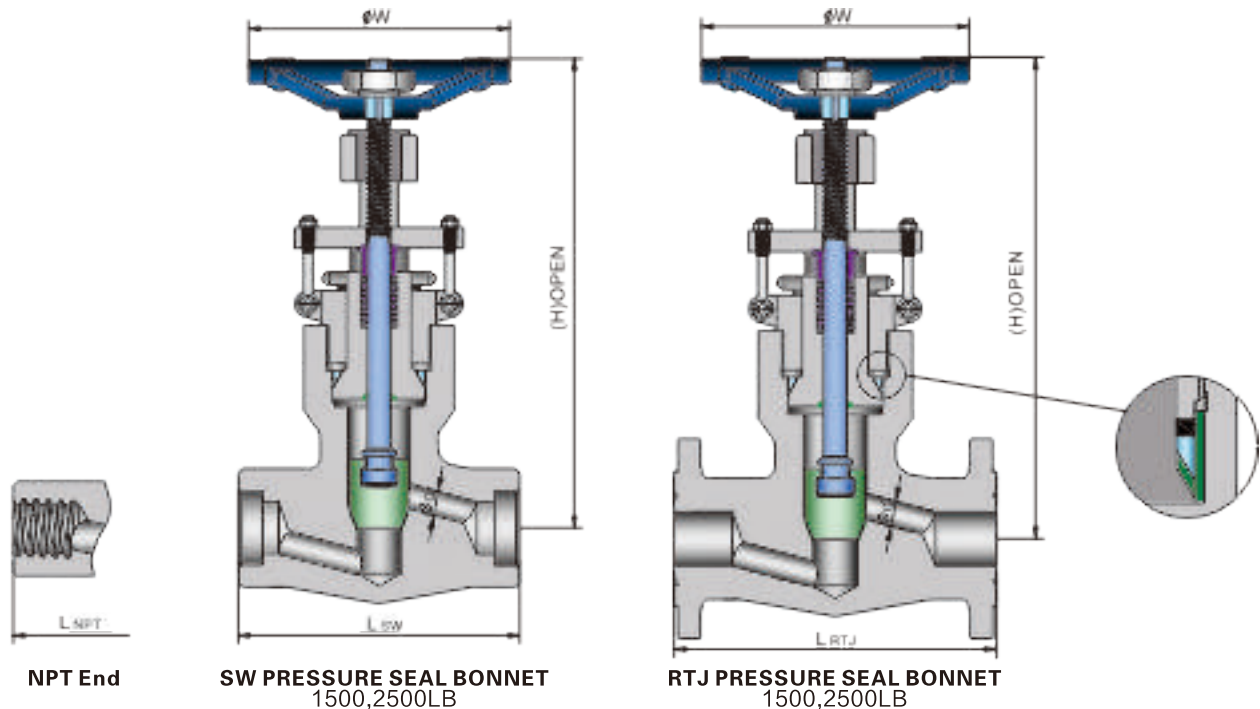


MODEL NO.:EFC-1/2GE15  
Size:1/2"~2"(DN15~DN50)



## API 602 FORGED STEEL PSB GLOBE VALVE



NPT End

SW PRESSURE SEAL BONNET  
1500,2500LB

RTJ PRESSURE SEAL BONNET  
1500,2500LB

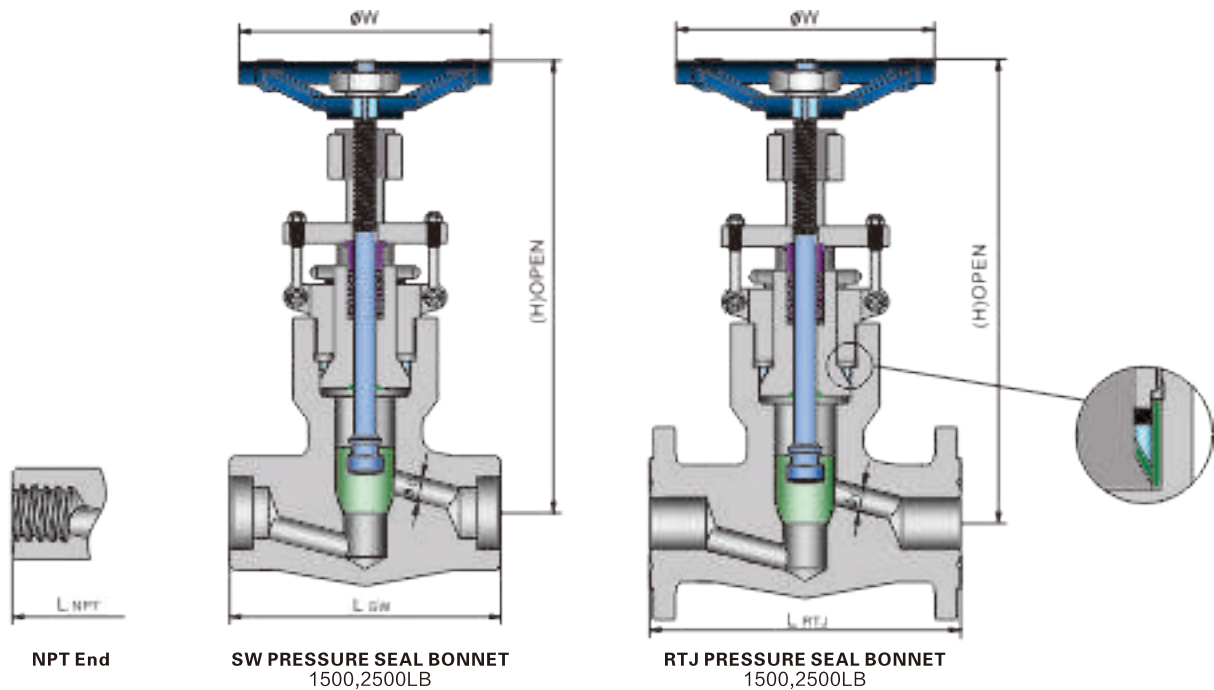
### Material List

PART	STANDARD MATERIALS					
BODY	ASTM A105+STL	ASTM A350 LF2+STL	ASTM A182 F304(L)	ASTM A182 F316(L)	ASTM A182 F51/F53	ASTM A182 F11+STL
DISC	ASTM A182 F6a	ASTM A182 F6a	ASTM A182 F304(L)	ASTM A182 F316(L)	ASTM A182 F51/F53	ASTM A182 F304+STL
STEM	ASTM A182 F6a	ASTM A182 F6a	ASTM A182 F304(L)	ASTM A182 F316(L)	ASTM A182 F51/F53	ASTM A182 F304
SEAL RING	SS304/SS316					
STUFFING BOX	ASTM A105	ASTM A350 LF2	ASTM A182 F304(L)	ASTM A182 F316(L)	ASTM A182 F51/F53	ASTM A182 F304+STL
BONNET	ASTM A105	ASTM A350 LF2	ASTM A182 F304(L)	ASTM A182 F316(L)	ASTM A182 F51/F53	ASTM A182 F11
PACKING	FLEXIBLE GRAPHITE					
GLAND	ASTM A276 410	ASTM A276 410	ASTM A276 304	ASTM A276 316	ASTM A276 316	ASTM A276 410
GLAND FLANGE	ASTM A105	ASTM A350 LF2	ASTM A182 F304	ASTM A182 F304	ASTM A182 F304	ASTM A105
EYEBOLT	ASTM A193 B7	ASTM A320 L7	ASTM A193 B8(M)	ASTM A193 B8(M)	ASTM A193 B8M	ASTM A193 B16
NUT	ASTM A194 2H	ASTM A194 4	ASTM A194 8(M)	ASTM A194 8(M)	ASTM A194 8M	ASTM A194 4
STEM NUT	ASTM A276 420	ASTM A276 420	ASTM A276 420	ASTM A276 420	ASTM A276 420	ASTM A276 420
HANDWHEEL	ASTM A197					
NAME PLATE	SS304					

The material is according to ASTM Standard

Model Denote:EFC=Elite Flow Control | 1/2=Size in inch | GE=Globe Valve | 15=1500Lb

## API 602 FORGED STEEL PSB GLOBE VALVE



### 1500LB SW(NPT)&RTJ,Standard port,Pressure Seal Bonnet

Nominal Diameter	mm(in)	15(1/2)	20(3/4)	25(1)	32(1 1/4)	40(1 1/2)	50(2)
ø d (Flow Passway)	mm	11	13	18	23	28	33
L (Face to Face)	SW(NPT)	mm	140	140	140	178	216
	RTJ	mm	216	229	254	279	371
H(Open Height)	mm	220	220	240	258	290	337
ø W(Handwheel)	mm	200	200	200	280	280	300
Weight	SW(NPT)	kg	11.5	10.8	10.5	19.6	55.4
	RTJ	kg	15.6	17.3	19.6	28.5	79.2

### 2500LB SW(NPT)&RTJ,Standard port,Pressure Seal Bonnet

Nominal Diameter	mm(in)	15(1/2)	20(3/4)	25(1)	32(1 1/4)	40(1 1/2)	50(2)
ø d (Flow Passway)	mm	11	14	18	25	28	35
L (Face to Face)	SW(NPT)	mm	186	186	186	232	272
	RTJ	mm	264	273	308	352	454
H(Open Height)	mm	333	333	333	410	420	524
ø W(Handwheel)	mm	200	200	200	280	280	300
Weight	SW(NPT)	kg	12.3	11.6	10.8	26.0	60.3
	RTJ	kg	18.9	22.1	23.8	43.5	96.3

The material is according to ASTM Standard  
Model Denote:EFC=Elite Flow Control | 1/2=Size in inch | GE=Globe Valve | 15=1500Lb