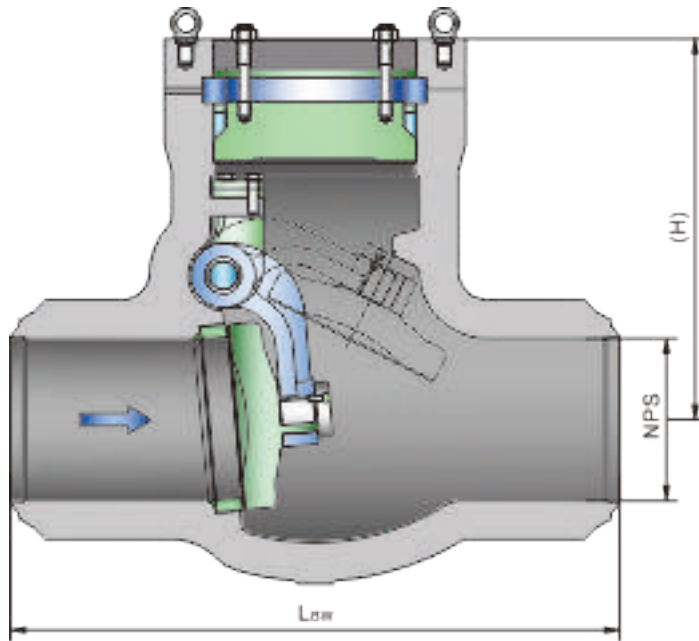
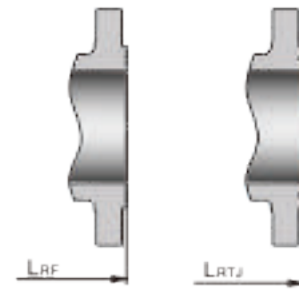


## CASTING PSB CHECK VALVE



### Design Features

- Pressure Seal Bonnet
- Swing Type
- Non-Penetrating Disc Shaft
- Horizontal or Vertical Service
- Seat Surface Can be Hardened to Increase Wear Resistance
- Flanged or Butt Weld End



### Material List

PART	STANDARD MATERIALS					
BODY	ASTM A216 WCB	ASTM A352 LCB	ASTM A351 CF8(CF3)	ASTM A351 CF8M(CF3M)	ASTM A995 4A	ASTM A217 WC6
SEAT	ASTM A105+STL	ASTM A352 LCB+STL	ASTM A351 CF8M(CF3M)+STL	ASTM A351 CF8M(CF3M)+STL	ASTM A995 4A+STL	ASTM A217 WC6+STL
DISC	ASTM A216 WCB+STL	ASTM A352 LCB+STL	ASTM A351 CF8(CF3)	ASTM A351 CF8M(CF3M)	ASTM A995 4A	ASTM A217 WC6+STL
HINGE	ASTM A216 WCB	ASTM A352 LCB	ASTM A351 CF8(CF3)	ASTM A351 CF8M(CF3M)	ASTM A995 4A	ASTM A217 WC6
FORK	ASTM A216 WCB	ASTM A352 LCB	ASTM A351 CF8(CF3)	ASTM A351 CF8M(CF3M)	ASTM A995 4A	ASTM A217 WC6
GASKET	SS+GRAPHITE/SS304/SS316					
STUFFING BOX	ASTM A105	ASTM A350 LF2	ASTM A182 F304(L)	ASTM A182 F316(L)	ASTM A182 F51	ASTM A182 F11
COVER	ASTM A105	ASTM A350 LF2	ASTM A182 F304(L)	ASTM A182 F316(L)	ASTM A182 F51	ASTM A182 F11
BOLT	ASTM A193 B7	ASTM A320 L7	ASTM A193 B8(M)	ASTM A193 B8(M)	ASTM A193 B8M	ASTM A193 B16
NUT	ASTM A194 2H	ASTM A194 7	ASTM A194 8(M)	ASTM A194 8(M)	ASTM A194 8M	ASTM A194 4

The material is according to ASTM Standard.

Model Denote:EFC=Elite Flow Control | 02=Size in inch | CK=CHECK Valve | 9=900Lb

MODL NO.:EFC-02CK9  
Size:2" ~ 24"(DN50 ~ DN600)



## CASTING PSB CHECK VALVE

### Pressure Seal Bonnet ASME CLASS 900 Dimensions

NPS DN	in	2	2 <sup>1/2</sup>	3	4	6	8	10	12	14	16	18	20	24
	mm	47	57	73	98	146	190	238	282	311	356	400	445	534
LBW	in	8.5	10.0	12.0	14.0	20.0	26.0	31.0	36.0	39.0	43.0	48.0	52.0	61.0
	mm	216	254	305	356	508	660	787	914	991	1092	1219	1321	1549
LRF	in	14.5	16.5	15.0	18.0	24.0	29.0	33.0	38.0	40.5	44.5	48.0	52.0	61.0
	mm	368	419	381	457	610	737	838	965	1029	1130	1219	1321	1549
LRTJ	in	14.62	16.62	15.12	18.12	24.12	29.12	33.12	38.12	40.88	44.88	48.5	52.5	61.75
	mm	371	422	384	460	613	740	841	968	1039	1140	1232	1334	1568
H	in	9.5	10.4	10.6	12.5	15.7	23.1	24.9	27.4	31.9	29.9	35.3	36.7	40
	mm	241	264	270	318	400	587	632	695	812	760	895	932	1016
WT (Kg)	RF/RTJ	42	55	58	110	262	652	923	1551	1725	1895	2500	3250	4350
	BW	21	32	35	70	177	501	765	1187	1410	1570	2010	2610	3120

### Pressure Seal Bonnet ASME CLASS 1500 Dimensions

NPS DN	in	2	2 <sup>1/2</sup>	3	4	6	8	10	12	14	16	18	20	24
	mm	47	57	70	92	136	178	222	263	289	330	371	416	498
LBW	in	8.5	10.0	12.0	16.0	22.0	28.0	34.0	39.0	42.0	47.0	60.5	65.5	76.5
	mm	216	254	305	406	559	711	864	991	1067	1194	1537	1664	1943
LRF	in	14.5	16.5	18.5	21.5	27.75	32.75	39	44.5	49.5	54.5	60.5	65.5	76.5
	mm	368	419	470	546	705	838	991	1130	1257	1384	1537	1664	1943
LRTJ	in	14.62	16.62	18.62	21.62	28	33.13	39.38	45.12	50.25	55.38	61.38	66.38	77.62
	mm	371	422	473	549	711	842	1001	1146	1276	1406	1559	1686	1971
H	in	9.5	10.4	10.8	12.5	16.6	18.9	25.1	24.8	29.5	32.7	36.2	38.7	46.7
	mm	241	264	274	318	422	479	637	681	750	830	920	982	1185
WT (Kg)	RF/RTJ	42	58	110	152	380	682	1250	1758	2400	2910	3550	4650	6320
	BW	21	34	45	78	251	535	865	1238	1620	1882	2350	2854	3810

### Pressure Seal Bonnet ASME CLASS 2500 Dimensions

NPS DN	in	2	2 <sup>1/2</sup>	3	4	6	8	10	12
	mm	38	47	57	73	111	146	184	219
LBW	in	11.0	13.0	14.5	18.0	24.0	30.0	36.0	41.0
	mm	279	330	368	457	610	762	914	1041
LRF	in	17.75	20	22.75	26.5	36	40.25	50	56
	mm	451	508	578	673	914	1022	1270	1422
LRTJ	in	17.87	20.25	23	26.88	36.5	40.87	50.88	56.88
	mm	454	514	584	683	927	1038	1292	1444
H	in	9.6	10.4	11.4	13.8	19.2	23.2	24.9	27.1
	mm	245	264	290	352	488	591	632	687
WT (Kg)	RF/RTJ	89	134	182	352	623	1210	1852	2955
	BW	53	78	98	183	290	712	921	1835

The material is according to ASTM Standard.

Model Denote:EFC=Elite Flow Control | 02=Size in inch | CK=CHECK Valve | 9=900Lb