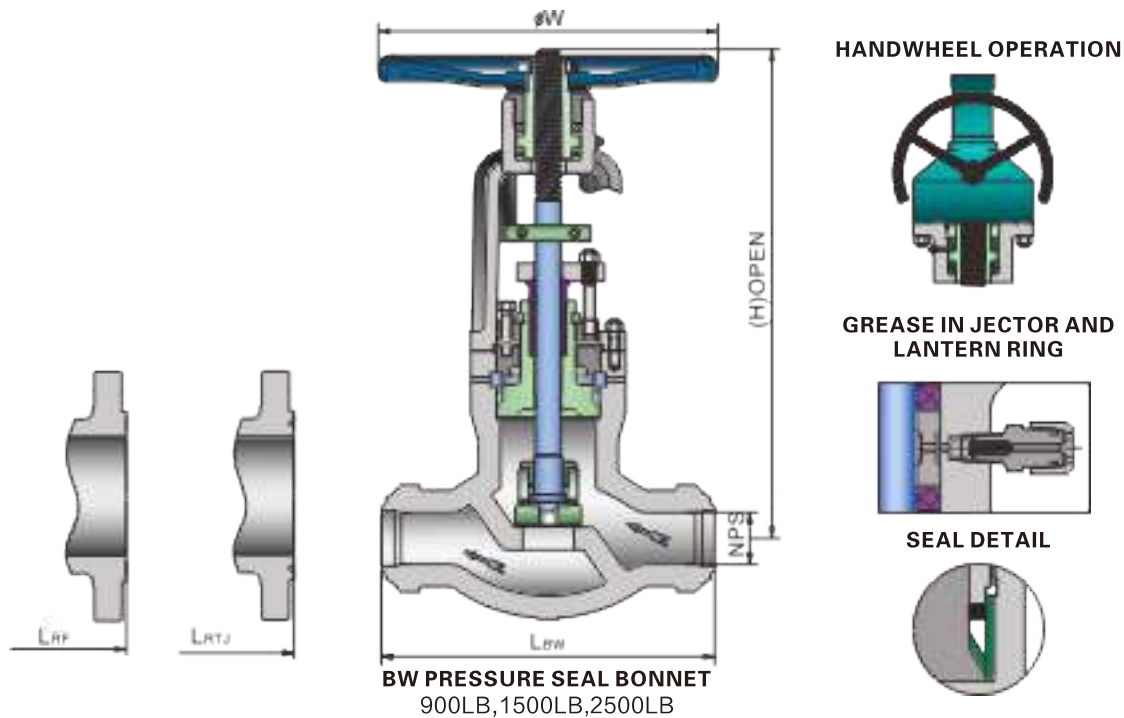




MODEL NO.:EFC-2GE9
Size:2" ~ 16" (DN50 ~ DN400)

CASTING STEEL PSB GLOBE VALVE

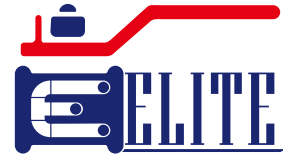


Material List

PART	STANDARD MATERIALS					
BODY	ASTM A216 WCB+STL	ASTM A352 LCB+STL	ASTM A351 (CF3)	ASTM A351 CF8M(CF3M)	ASTM A995 4A	ASTM A217 WC6
DISC	ASTM A105+STL	ASTM A182 F6a+STL	ASTM A182 F304(L)+STL	ASTM A182 F316(L)+STL	ASTM A182 F51+STL	ASTM A182 F304+STL
STEM	ASTM A182 F6a	ASTM A182 F6a	ASTM A182 F304(L)	ASTM A182 F316(L)	ASTM A182 F51	ASTM A182 F304
SEAL RING	SS+GRAPHITE/SS304/SS316					
STUFFING BOX	ASTM A105+STL	ASTM A350 LF2+STL	ASTM A182 F304(L)	ASTM A182 F316(L)	ASTM A182 F51	ASTM A182 F304
BONNET	ASTM A216 WCB	ASTM A352 LCB	ASTM A351 CF8(CF3)	ASTM A351 CF8M(CF3M)	ASTM A995 4A	ASTM A217 WC6
PACKING	FLEXIBLE GRAPHITE					
GLAND	ASTM A276 410	ASTM A276 410	ASTM A276 304	ASTM A276 316	ASTM A276 316	ASTM A276 410
GLAND FLANGE	ASTM A105	ASTM A105	ASTM A182 F304	ASTM A182 F304	ASTM A182 F316	ASTM A105
EYEBOLT	ASTM A193 B7	ASTM A320 L7	ASTM A193 B8(M)	ASTM A193 B8(M)	ASTM A193 B8M	ASTM A193 B16
NUT	ASTM A194 2H	ASTM A194 7	ASTM A194 8(M)	ASTM A194 8(M)	ASTM A194 8M	ASTM A194 4
STEM NUT	BRONZE	BRONZE	BRONZE	BRONZE	BRONZE	BRONZE

The material is according to ASTM Standard.
 Model Denote:EFC=Elite Flow Control | 2=Size in inch | GE=GLOBE Valve | 9=900Lb

MODEL NO.:EFC-2GE9
Size:2"~16"(DN50~DN400)



CASTING STEEL PSB GLOBE VALVE

Pressure Seal Bonnet ASME CLASS 900 Dimensions

NPS DN	in	2	2 _{1/2}	3	4	6*	8*	10*	12*	14*	16*
	mm	47	57	73	98	146	190	238	282	311	356
L _{RF}	in	8.5	10	12	14	20	26	31	36	39	43
	mm	216	254	305	356	508	660	787	914	991	1092
L _{BW}	in	14.5	16.5	15	18	24	29	33	38	40.5	44.5
	mm	368	419	381	457	610	737	838	965	1029	1130
L _{RTJ}	in	14.62	16.62	15.12	18.12	24.12	29.12	33.12	38.12	40.88	44.88
	mm	371	422	384	460	613	740	841	968	1039	1140
H (Open)	in	24.4	25.2	28.4	33.5	48.2	53.1	63	70.88	82.75	95
	mm	619	641	721	850	1225	1350	1600	1800	2100	2410
øW	in	14	14	18	20	24	24	24	24	24	24
	mm	350	350	450	500	600	600	600	600	600	600
WT (Kg)	RF/RTJ	84	110	116	179	441	1070	1820	2450	3550	4200
	BW	58	74	84	137	378	955	1610	2250	3250	3800

Pressure Seal Bonnet ASME CLASS 1500 Dimensions

NPS DN	in	2	2 _{1/2}	3	4	6*	8*	10*	12*	14*
	mm	47	57	70	92	136	178	222	263	289
L _{RF}	in	8.5	10	12	16	22	28	34	39	42
	mm	216	254	305	406	559	711	864	991	1067
L _{BW}	in	14.5	16.5	18.5	21.5	27.75	32.75	39	44.5	49.5
	mm	368	419	470	546	705	832	991	1130	1257
L _{RTJ}	in	14.62	16.62	18.62	21.62	28	33.13	39.38	45.12	50.25
	mm	371	422	473	549	711	842	1001	1146	1276
H (Open)	in	24.4	25.2	32.9	33.7	48.4	70.9	82.78	95	112
	mm	619	641	835	857	1230	1800	2100	2411	2842
øW	in	14	14	20	22	24	24	24	24	24
	mm	350	350	500	550	600	600	600	600	600
WT (Kg)	RF/RTJ	84	116	145	236	918	1864	2820	3600	4500
	BW	58	62	125	168	781	1602	2410	2970	3800

Pressure Seal Bonnet ASME CLASS 2500 Dimensions

NPS DN	in	2	2 _{1/2}	3	4*	6*	8*	10*	12*
	mm	38	47	57	73	111	146	184	219
L _{RF}	in	11	13	14.5	18	24	30	36	41
	mm	279	330	368	457	610	762	914	1041
L _{BW}	in	17.75	20	22.75	26.5	36	40.25	50	56
	mm	451	508	578	673	914	1022	1270	1422
L _{RTJ}	in	17.87	20.25	23	26.88	36.5	40.87	50.88	56.88
	mm	454	514	584	683	927	1038	1292	1444
H (Open)	in	24.3	30.7	31.5	51.2	57.9	89	106	112
	mm	616	781	800	1300	1470	2260	2690	2842
øW	in	16	20	22	24	24	24	24	24
	mm	400	500	550	600	600	600	600	600
WT (Kg)	RF/RTJ	105	160	221	525	1413	2710	3480	4400
	BW	74	112	147	368	1053	2350	2800	3500

*Manual gear operator is recommended.

The material is according to ASTM Standard.

Model Denote:EFC=Elite Flow Control | 2=Size in inch | GE=GLOBE Valve | 9=900Lb