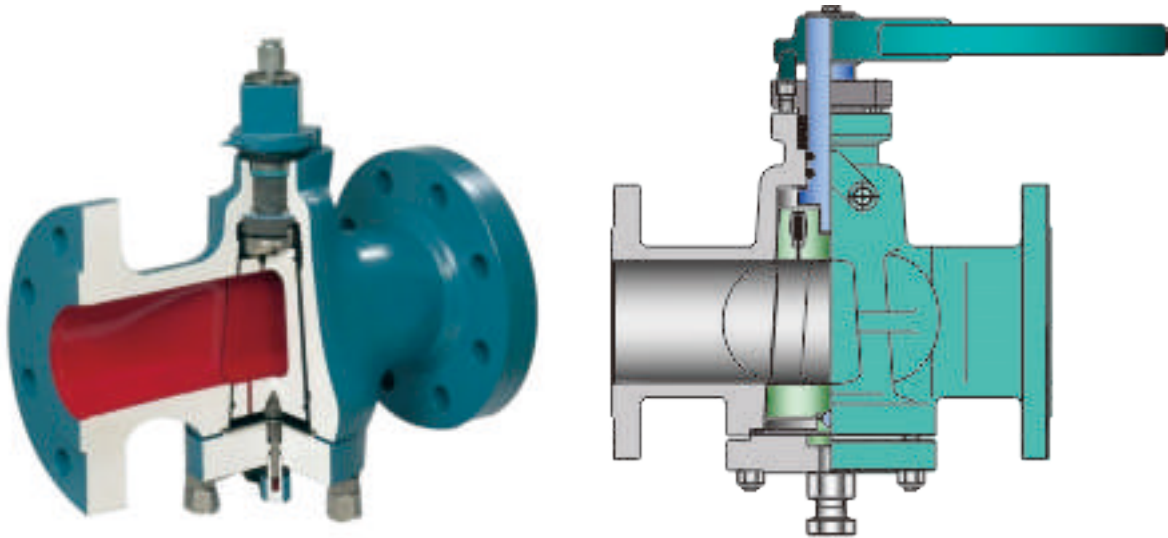




MODEL NO.:EFC-02PV1
Size:1/2" ~ 14" (DN15 ~ DN350)

INVERTED PRESSURE LUBRICATED PLUG VALVE



SPECIFICATION

Design & MFG.	API 599, API 6D	Flange Design	ASME B16.5
Face To Face (Flange & Butt Weld)	ASME B16.10	Materials	ASTM STANDARD
Press-Temp Rat.	ASME B16.34	Butt Weld Design	ASME B16.25

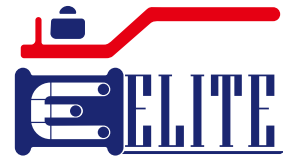
Material List

PART	STANDARD MATERIALS					
COVER	ASTM A216 WCB	ASTM A352 LCB	ASTM A351 CF8(CF3)	ASTM A351 CF8M(CF3M)	ASTM A995 4A	ASTM A217 WC6
BOLT	ASTM A193 B7	ASTM A320 L7	ASTM A193 B8(M)	ASTM A193 B8(M)	ASTM A193 B8M	ASTM A193 B16
NUT	ASTM A194 2H	ASTM A194 7	ASTM A194 8(M)	ASTM A194 8(M)	ASTM A194 8M	ASTM A194 4
BODY	ASTM A216 WCB	ASTM A352 LCB	ASTM A351 CF8(CF3)	ASTM A351 CF8M(CF3M)	ASTM A995 4A	ASTM A217 WC6
PLUG	A217 CA15+Nitriding	A351 CF8+STL	A351 CF8(CF3)+STL	A351 CF8M(CF3M)+STL	A955 4A+STL	A351 CF8+STL
STEM	ASTM A182 F6a	ASTM A182 F6a	ASTM A182 F304(L)	ASTM A182 F316(L)	ASTM A182 F51	ASTM A182 F6a
GASKET	SS Spiral Wound W/Graphite or PTFE, or Reinforced PTFE					
ADJUSTING SHIM	SS304 or SS316					
CHECK VALVE	UCA					
PACKING	FLEXIBLE GRAPHITE or PTFE					
GLAND	ASTM A216 WCB	ASTM A352 LCB	ASTM A351 CF8	ASTM A351 CF8(M)	ASTM A351 CF8M	ASTM A216 WCB
HANDHOLD	CARBON STEEL					

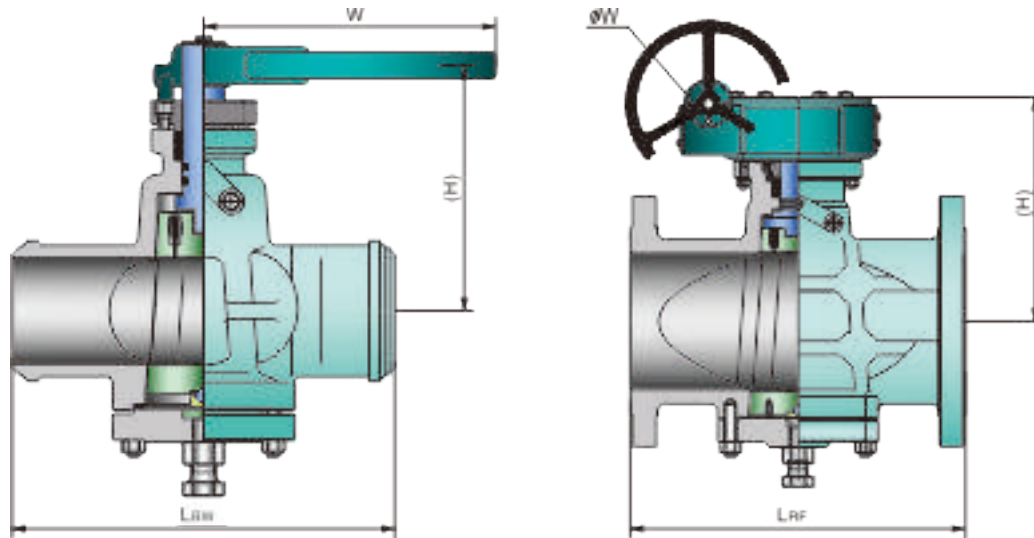
The material is according to ASTM Standard.

Model Denote: EFC=Elite Flow Control | 02=Size in inch | PV=PLUG Valve | 1=150Lb

MODEL NO.:EFC-02PV1
Size:1/2" ~ 14"(DN15 ~ DN350)



INVERTED PRESSURE LUBRICATED PLUG VALVE



Dimensions

Model		AX47-150LB														
Size	mm	15	20	25	32	40	50	65	80	100	125	150	200	250	300	350
	in	1/2	3/4	1	1 1/4	1 1/2	2	2 1/2	3	4	5	6	8	10	12	14
L		108	117	127	140	165	178	190	203	229	254	267	292	330	356	381
H		180	180	185	200	214	215	250	270	300	340	365	400	450	510	590
φW		400	400	500	500	600	600	820	820	300	300	320	320	350	380	380
Weight (kg)		12	12	14	17	19	21	29	33	48	75	98	98	171	230	370
Model		AX47-300LB														
Size	mm	15	20	25	32	40	50	65	80	100	125	150	200	250	300	350
	in	1/2	3/4	1	1 1/4	1 1/2	2	2 1/2	3	4	5	6	8	10	12	14
L		165	190	216	229	241	292	330	356	432	508	559	660	787	838	889
H		180	180	185	200	210	215	250	270	300	340	365	400	450	510	590
φW		400	400	500	500	600	600	820	820	300	300	320	320	350	380	380
Weight (kg)		14	16	18	20	24	29	35	47	91	129	210	320	660	920	1250
Model		AX47-600LB														
Size	mm	15	20	25	32	40	50	65	80	100	125	150	200	250	300	350
	in	1/2	3/4	1	1 1/4	1 1/2	2	2 1/2	3	4	5	6	8	10	12	14
L		165	190	216	229	241	292	330	356	432	508	559	660	787	838	889
H		180	180	185	200	210	215	250	270	300	340	365	400	450	510	590
φW		400	400	500	500	600	600	820	820	300	300	320	320	350	380	380
Weight (kg)		14	16	18	20	24	29	35	47	91	129	210	320	660	920	1250
Model		AX47-900LB														
Size	mm	15	20	25	32	40	50	65	80	100	125	150	200	250	300	350
	in	1/2	3/4	1	1 1/4	1 1/2	2	2 1/2	3	4	5	6	8	10	12	14
L		229	229	254	279	305	368	419	381	457	559	610	737	838	965	1029
H		180	180	185	200	210	210	250	270	300	340	365	400	450	510	590
φW		400	400	500	600	600	820	1000	1000	300	300	320	320	350	380	380
Weight (kg)		17	29	21	24	30	37	44	65	110	180	266	380	810	1050	1460

The material is according to ASTM Standard.

Model Denote:EFC=Elite Flow Control | 02=Size in inch | PV=PLUG Valve | 1=150Lb