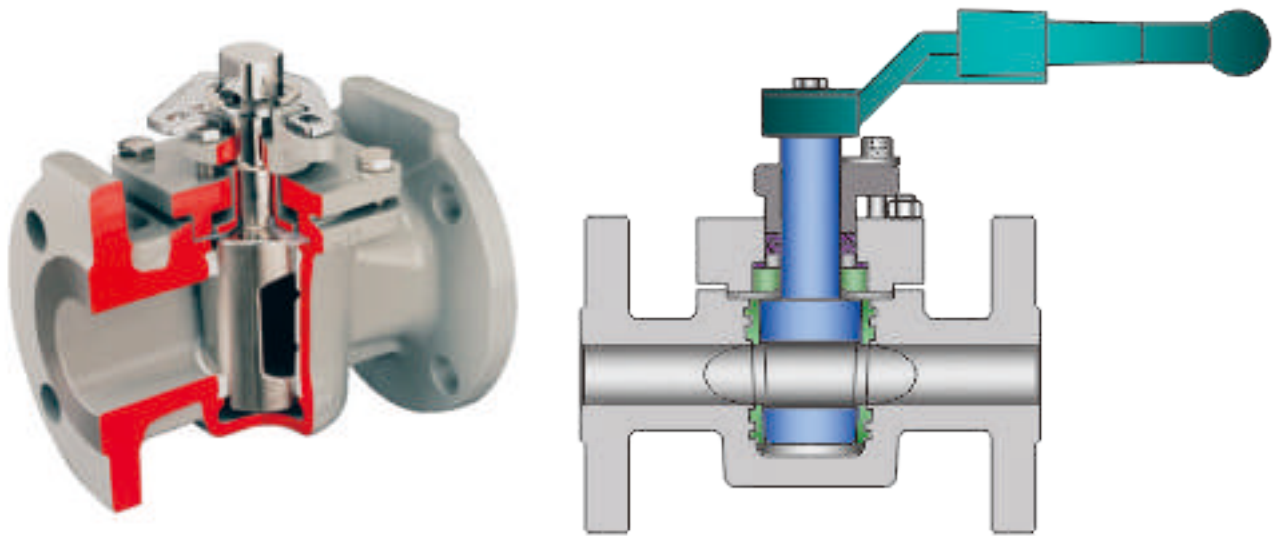




MODEL NO.:EFC-02PV1
Size:1/2" ~ 14" (DN15 ~ DN350)

SLEEVE TYPE SOFT SEALING PLUG VALVE



SPECIFICATION

Design & MFG.	API 599, API 6D	Flange Design	ASME B16.5
Face To Face (Flange & Butt Weld)	ASME B16.10	Materials	ASTM STANDARD
Press-Temp Rat.	ASME B16.34	Butt Weld Design	ASME B16.25

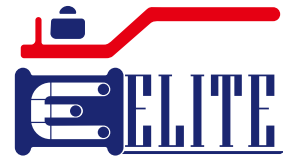
Material List

PART	STANDARD MATERIALS					
BODY	ASTM A216 WCB	ASTM A352 LCB	ASTM A351 CF8(CF3)	ASTM A351 CF8(CF3M)	ASTM A995 4A	ASTM A217 WC6
PLUG	ASTM A217 CA15	ASTM A352 LCB	ASTM A351 CF8(CF3)	ASTM A351 CF8(CF3M)	ASTM A995 4A	ASTM A351 CF8
SEAT	PTFE or Reinforced PTFE					
GASKET	SS Spiral Wound W/Graphite or PTFE, or Reinforced PTFE					
ADJUSTING SHIM	SS304 or SS316					
BONNET	ASME A216 WCB	ASME A352 LCB	ASME A351 CF8(CF3)	ASME A351 CF8(CF3M)	ASME A995 4A	ASME A217 WC6
PACKING	FLEXIBLE GRAPHITE or PTFE					
BOLT	ASME A193 B7	ASME A320 L7	ASME A193 B8(M)	ASME A193 B8(M)	ASME A193 B8M	ASME A193 B16
NUT	ASME A194 2H	ASME A194 7	ASME A194 8(M)	ASME A194 8(M)	ASME A194 8M	ASME A194 4
GLAND	ASME A216 WCB	ASME A216 WCB	ASME A351 CF8	ASME A351 CF8M	ASME A351 CF8M	ASME A216 WCB
HANDHOLD	CARBON STEEL					

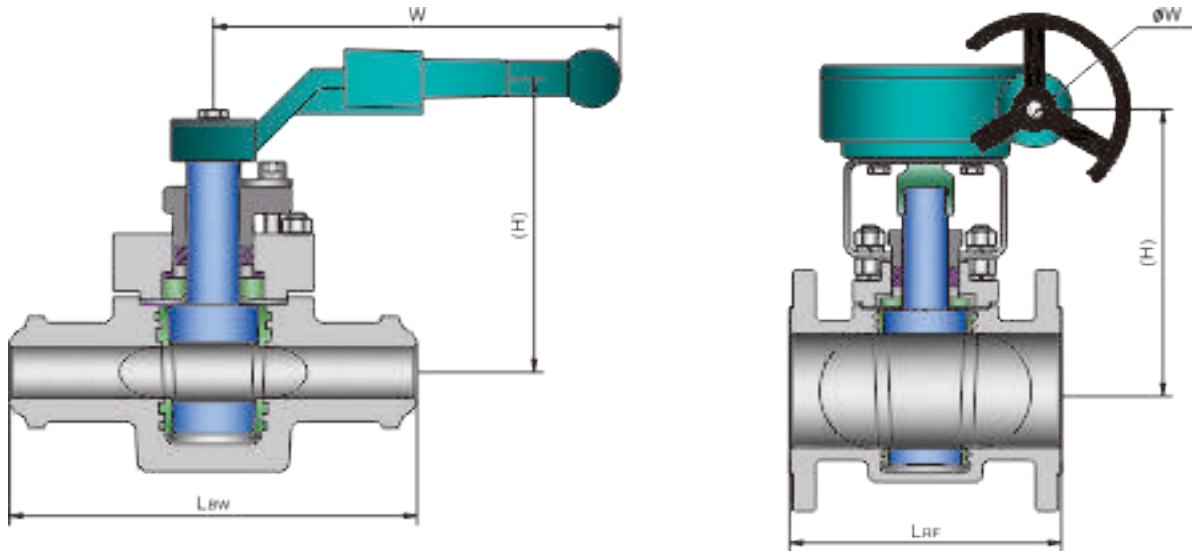
The material is according to ASTM Standard.

Model Denote: EFC=Elite Flow Control | 02=Size in inch | PV=PLUG Valve | 1=150Lb

MODEL NO.:EFC-02PV1
Size:1/2" ~ 14"(DN15 ~ DN350)



SLEEVE TYPE SOFT SEALING PLUG VALVE



Dimensions

Model		AX43-150LB														
Size	mm	15	20	25	32	40	50	65	80	100	125	150	200	250	300	350
	in	1/2	3/4	1	1 1/4	1 1/2	2	2 1/2	3	4	5	6	8	10	12	14
L		108	117	127	140	165	178	190	203	229	254	267	292	330	356	381
H		110	115	115	135	140	150	165	180	380	460	520	580	620	680	760
øW		175	175	175	220	280	305	350	405	300	300	320	320	350	380	450
Weight (kg)		8.5	9.5	10.5	12	14	18	22	26	40	60	70	130	219	381	570
Model		AX43-300LB														
Size	mm	15	20	25	32	40	50	65	80	100	125	150	200	250	300	350
	in	1/2	3/4	1	1 1/4	1 1/2	2	2 1/2	3	4	5	6	8	10	12	14
L		108	152	165	178	190	216	241	283	305	381	403	419	457	502	762
H		110	115	115	135	140	150	165	180	380	460	502	580	620	680	760
øW		175	175	175	220	280	305	350	405	300	300	320	320	350	380	450
Weight (kg)		8.5	10.5	12	14	16	20	24	29	53	75	85	185	230	390	550
Model		AX43-600LB														
Size	mm	15	20	25	32	40	50	65	80	100	125	150	200	250	300	350
	in	1/2	3/4	1	1 1/4	1 1/2	2	2 1/2	3	4	5	6	8	10	12	14
L		108	190	216	229	241	292	330	356	432	508	559	660	787	838	889
H		110	115	115	135	140	150	165	180	380	460	520	580	620	680	760
øW		175	175	175	220	280	305	350	405	300	300	320	320	350	380	450
Weight (kg)		8.5	13	17	20	23	27	31	36	72	98	141	245	330	515	710
Model		AX43-900LB														
Size	mm	15	20	25	32	40	50	65	80	100						
	in	1/2	3/4	1	1 1/4	1 1/2	2	2 1/2	3	4						
L		108	229	254	279	305	368	419	381	457						
H		110	115	115	135	140	150	165	180	380						
øW		175	175	175	220	280	305	350	405	300						
Weight (kg)		8.5	16	21	24	28	32	40	47	91						

The material is according to ASTM Standard.

Model Denote:EFC=Elite Flow Control | 02=Size in inch | PV=PLUG Valve | 1=150Lb