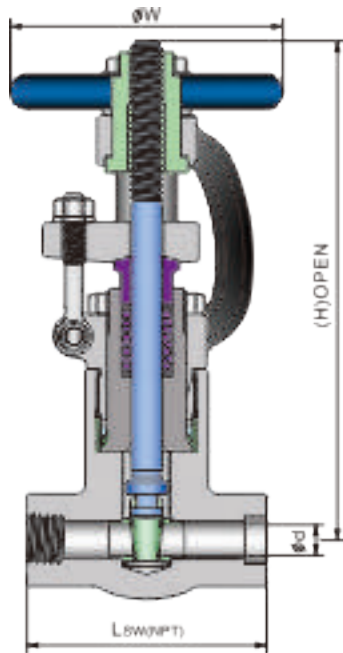
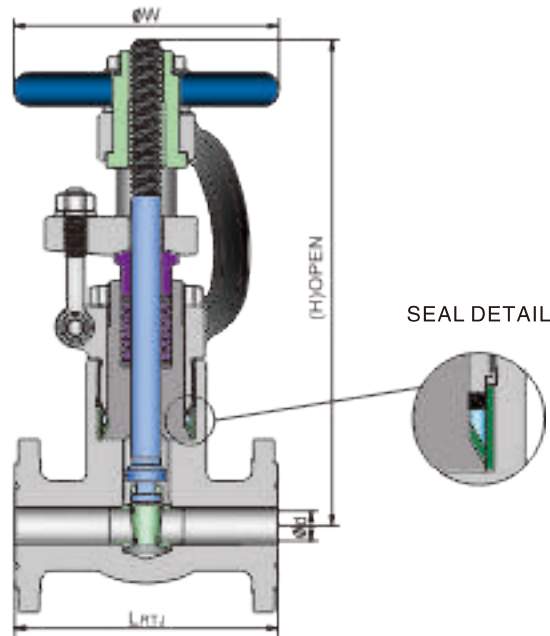


**API 602 FORGED STEEL PSB GATE VALVE**



**SW(NPT) PRESSURE SEAL BONNET**  
1500,2500LB



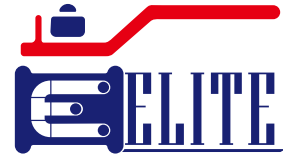
**RTJ PRESSURE SEAL BONNET**  
1500,2500LB

**Material List**

PART	STANDARD MATERIALS					
BODY	ASTM A105	ASTM A350 LF2	ASTM A182 F304(L)	ASTM A182 F316(L)	ASTM A182 F51/F53	ASTM A182 F11/F22
WEDGE	ASTM A182 F6a	ASTM A182 F6a	ASTM A182 F304(L)	ASTM A182 F316(L)	ASTM A182 F51/F53	ASTM A182 F304+STL
SEAT	ASTM A182 F6a	ASTM A182 F6a	ASTM A182 F304(L)	ASTM A182 F316(L)	ASTM A182 F51/F53	ASTM A182 F304+STL
STEM	ASTM A182 F6a	ASTM A182 F6a	ASTM A182 F304(L)	ASTM A182 F316(L)	ASTM A182 F51/F53	ASTM A182 F304
SEAL RING	SS304/SS316					
STUFFING BOX	ASTM A105+STL	ASTM A350 LF2+STL	ASTM A182 F304(L)	ASTM A182 F316(L)	ASTM A182 F51/F53	ASTM A182 F304+STL
BONNET	ASTM A105	ASTM A350 LF2	ASTM A182 F304(L)	ASTM A182 F316(L)	ASTM A182 F51/F53	ASTM A182 F11/F22
PACKING	FLEXIBLE GRAPHITE					
GLAND	ASTM A276 410	ASTM A276 410	ASTM A276 304	ASTM A276 316	ASTM A276 316	ASTM A276 410
GLAND FLANGE	ASTM A105	ASTM A350 LF2	ASTM A182 F304	ASTM A182 F304	ASTM A182 F304	ASTM A105
EYEBOLT	ASTM A193 B7	ASTM A320 L7	ASTM A193 B8(M)	ASTM A193 B8(M)	ASTM A193 B8M	ASTM A193 B16
NUT	ASTM A194 2H	ASTM A194 7	ASTM A194 8(M)	ASTM A194 8(M)	ASTM A194 8M	ASTM A194 4
STEM NUT	ASTM A276 420	ASTM A276 420	ASTM A276 420	ASTM A276 420	ASTM A276 420	ASTM A276 420
HANDWHEEL	ASTM A197					

The material is according to ASTM Standard  
 Model Denote:EFC=Elite Flow Control | 1/2=Size in inch | GV=GATE Valve | 15=1500Lb

MODEL NO.:EFC-1/2GV15  
Size:1/2"~ 2" (DN15 ~ DN50)



## API 602 FORGED STEEL PSB GATE VALVE

### 1500LB SW(NPT)&RTJ,Standard port,Pressure Seal Bonnet

Nominal Diameter		mm(in)	15(1/2)	20(3/4)	25(1)	32(1 1/4)	40(1 1/2)	50(2)
Ød (Flow Passway)		mm	13	13	18	23	28	36
L (Face to Face)	SW(NPT)	mm	140	140	140	178	178	216
	RTJ	mm	216	229	254	279	305	371
H(Open Height)		mm	308	308	308	380	414	502
ØW(Handwheel)		mm	200	200	200	280	280	300
Weight	SW(NPT)	kg	11.5	11.5	10.8	19.6	21.1	55.4
	RTJ	kg	15.6	17.3	19.6	28.5	33.4	79.2

### 2500LB SW(NPT)&RTJ,Standard port,Pressure Seal Bonnet

Nominal Diameter		mm(in)	15(1/2)	20(3/4)	25(1)	32(1 1/4)	40(1 1/2)	50(2)
Ød (Flow Passway)		mm	11	14	19	25	28	36
L (Face to Face)	SW(NPT)	mm	186	186	186	232	232	272
	RTJ	mm	264	273	308	352	387	454
H(Open Height)		mm	321	321	321	410	420	524
ØW(Handwheel)		mm	160	160	180	200	220	280
Weight	SW(NPT)	kg	12.3	11.8	11.0	24.3	26.1	58.8
	RTJ	kg	19.5	22.3	23.5	42.1	48.6	94.2

The material is according to ASTM Standard  
Model Denote:EFC=Elite Flow Control | 1/2=Size in inch | GV=GATE Valve | 15=1500Lb